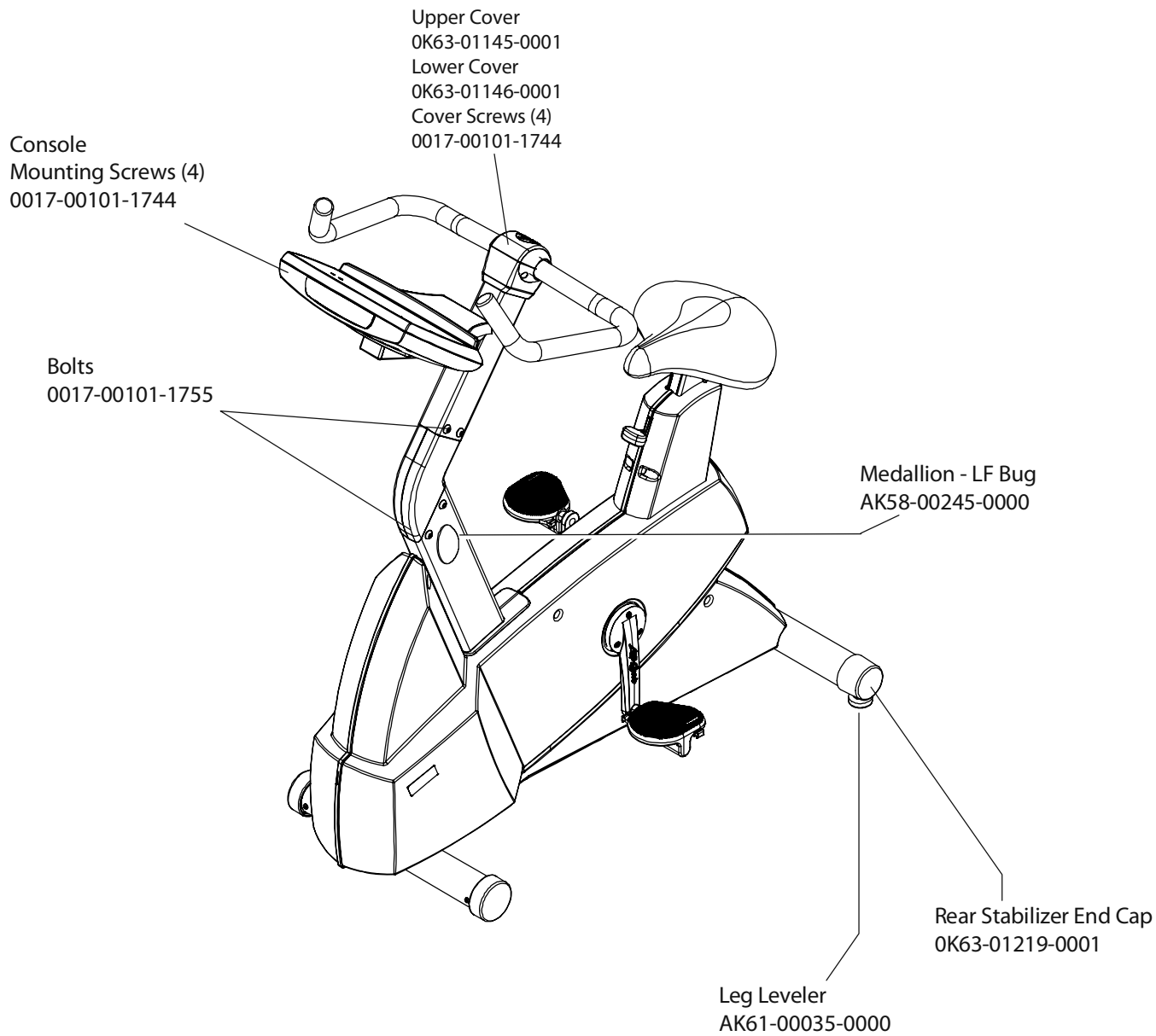
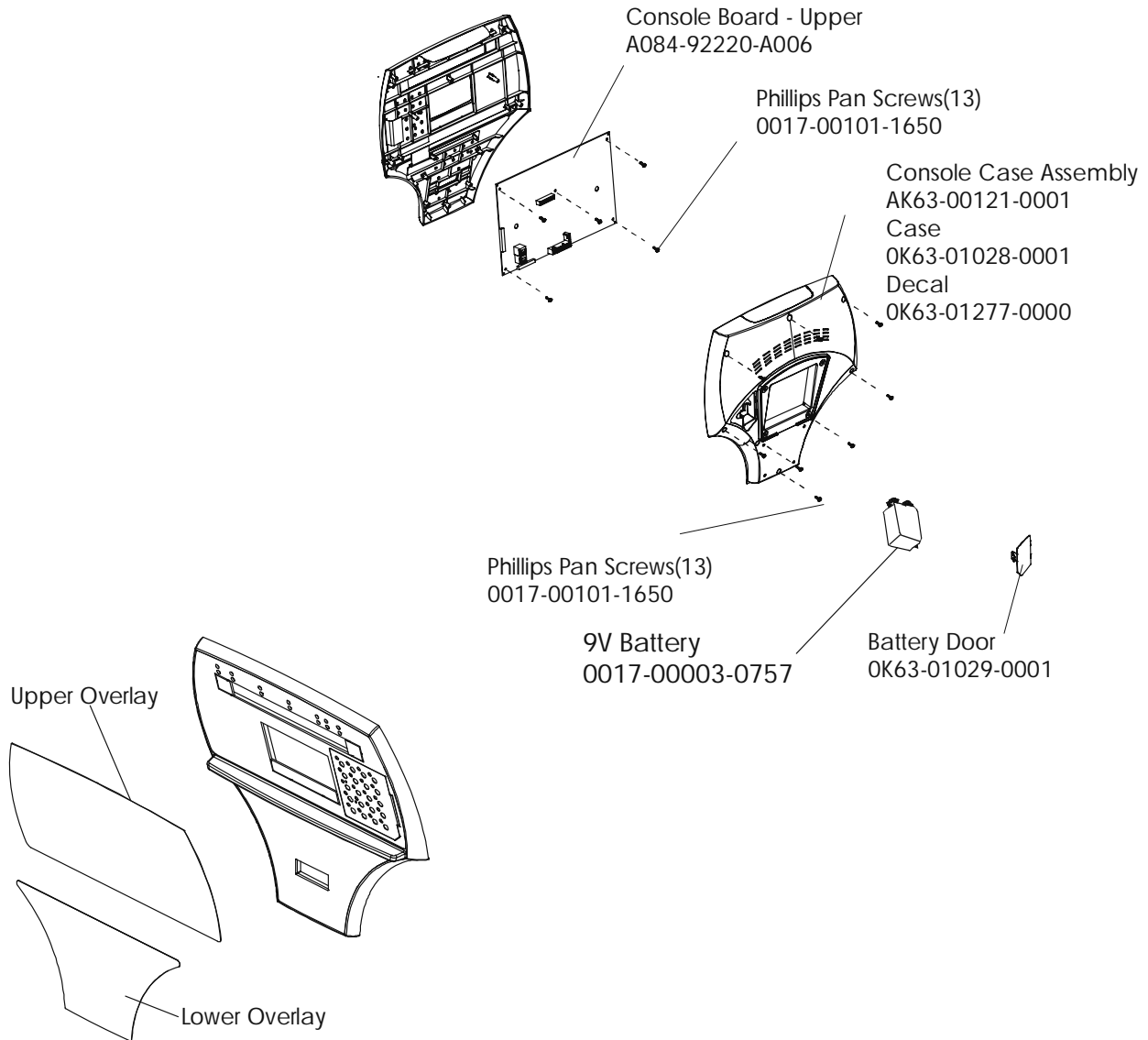


Life Cycle 90C
General Assembly

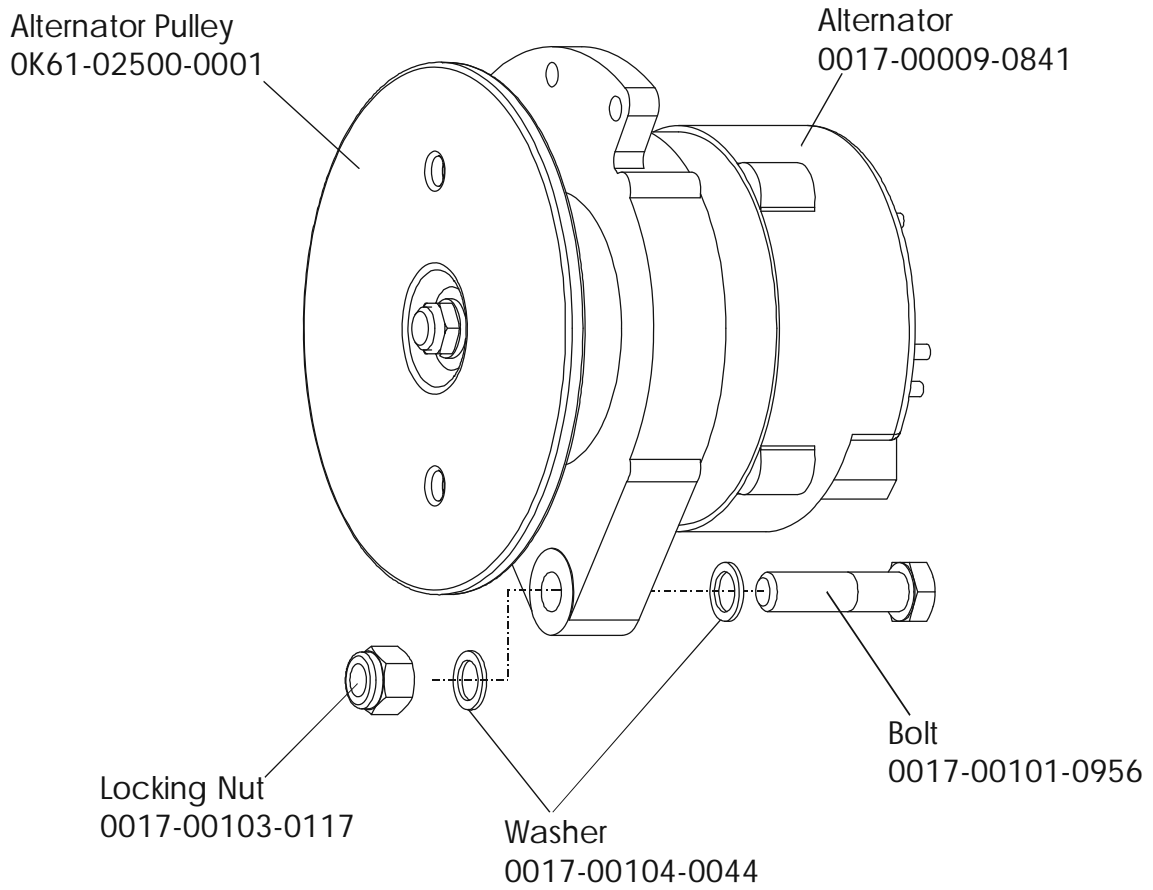
90C-0XXX-01
S/N LCA100001



Description	Part No.
Polar Upgrade Kit	GK63-00002-0002
Accessory Tray	GK63-00002-0004

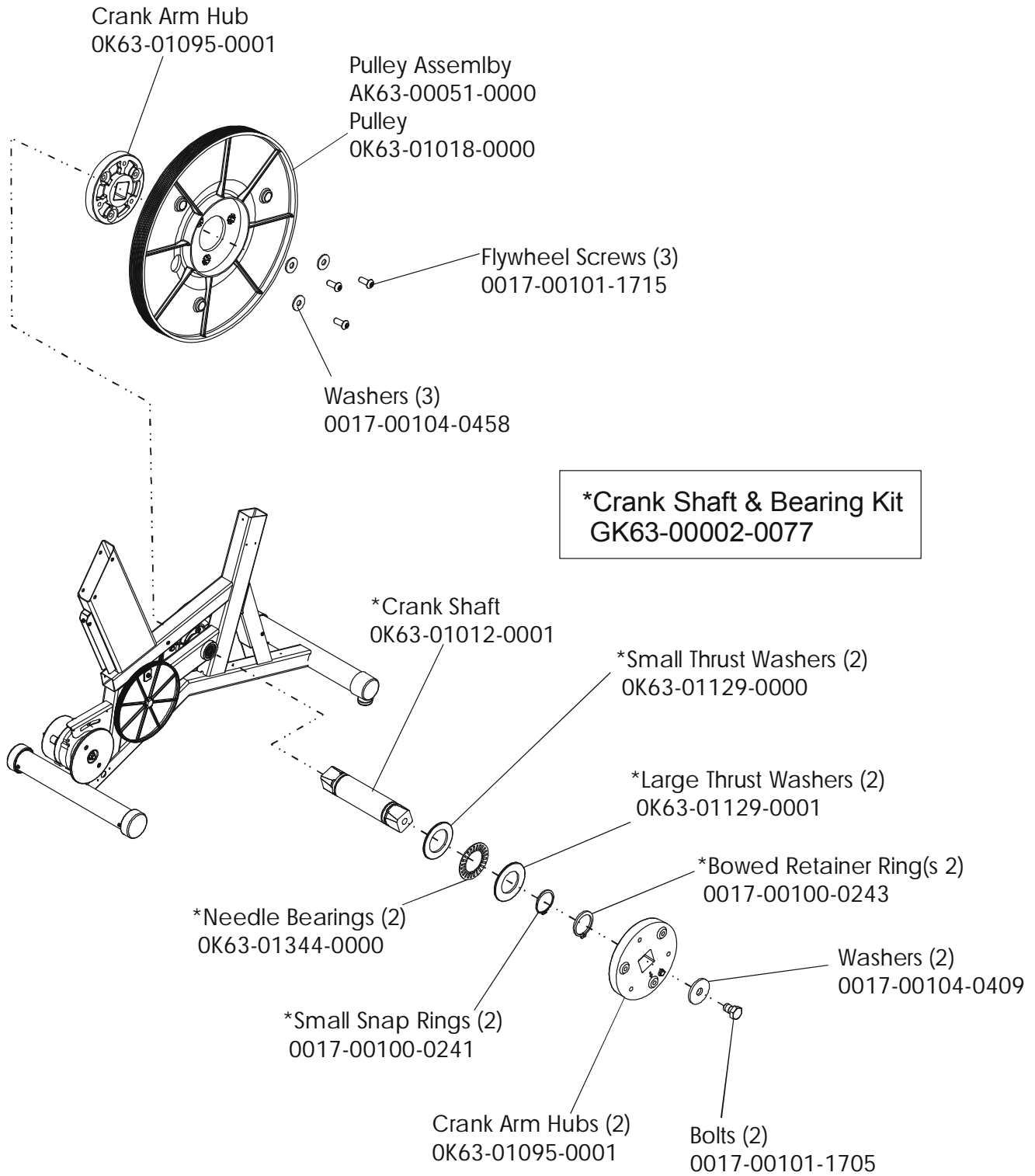


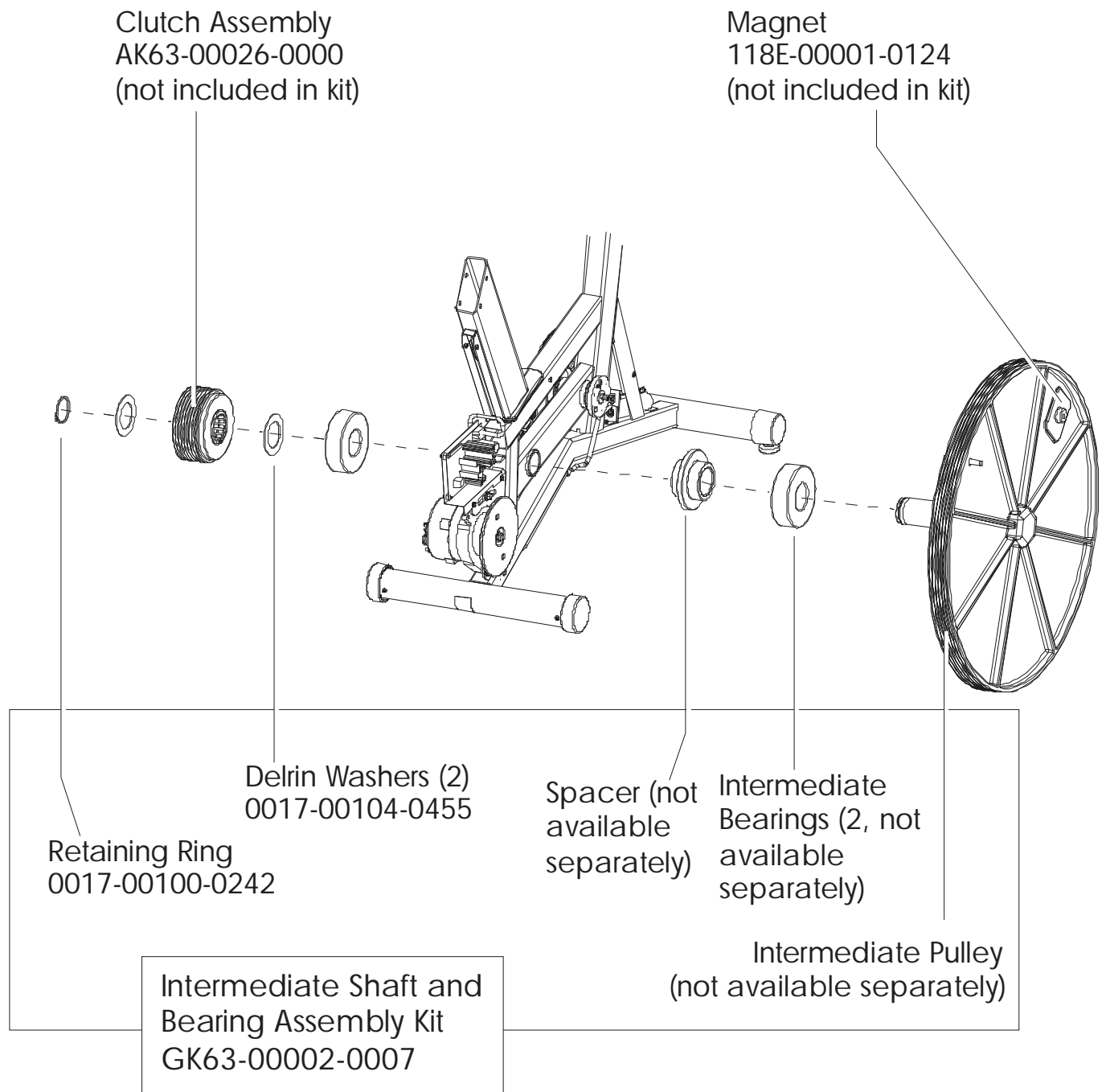
Console Assembly	Overlay Bezel
AK63-00162-0001 Eng Met	AK63-00167-0001 Eng Met
AK63-00162-0003 Ger Met	AK63-00167-0003 Ger Met
AK63-00162-0004 Spn Met	AK63-00167-0004 Spn Met
AK63-00162-0007 Frn Met	AK63-00167-0007 Frn Met
AK63-00162-0008 Itl Met	AK63-00167-0008 Itl Met
AK63-00162-0009 Dut Met	AK63-00167-0009 Dut Met
AK63-00162-0010 Por Met	AK63-00167-0010 Por Met



Life Cycle 90C
Crank Shaft and Bearings

90C-0XXX-01
S/N LCA100001

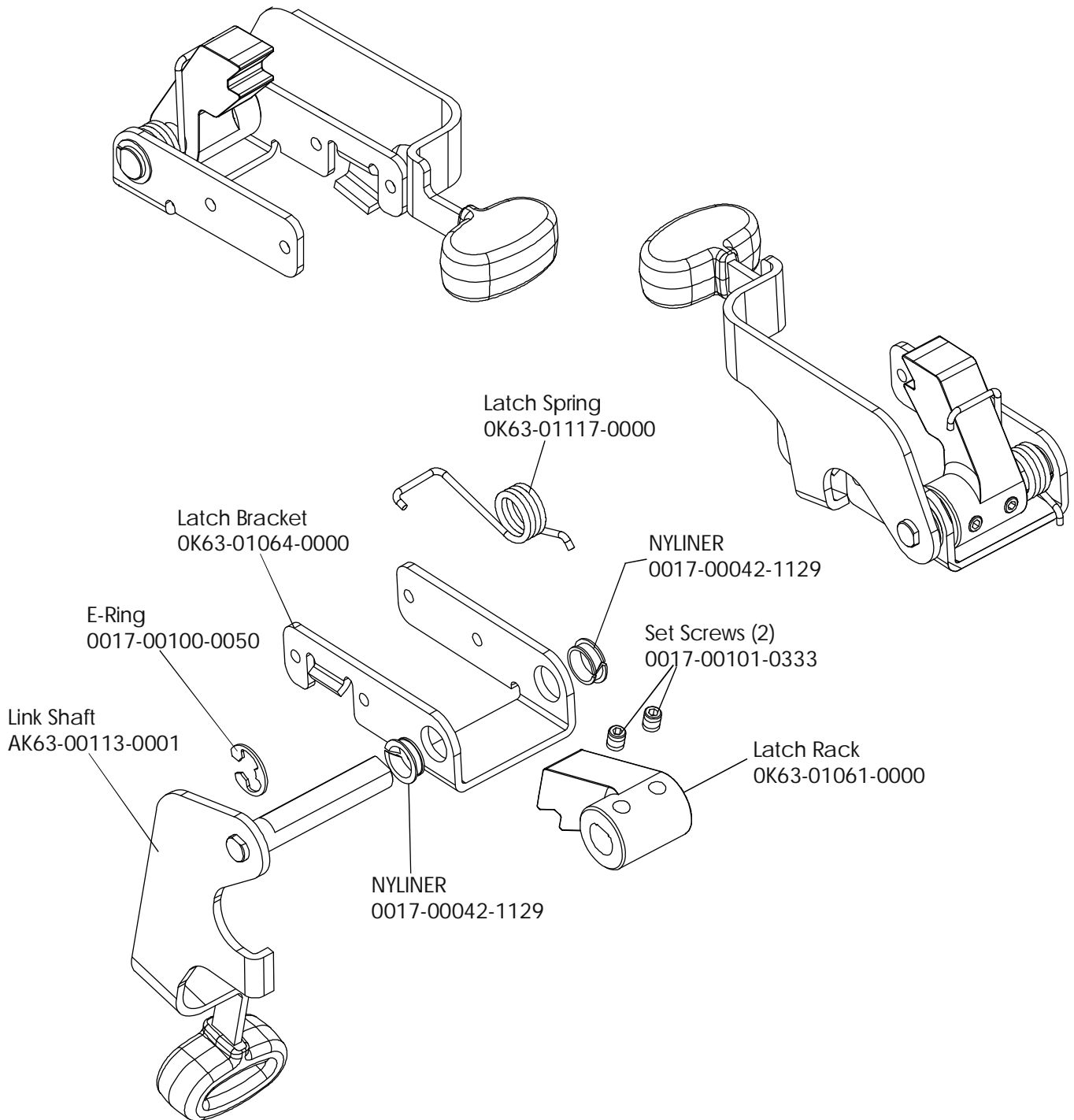


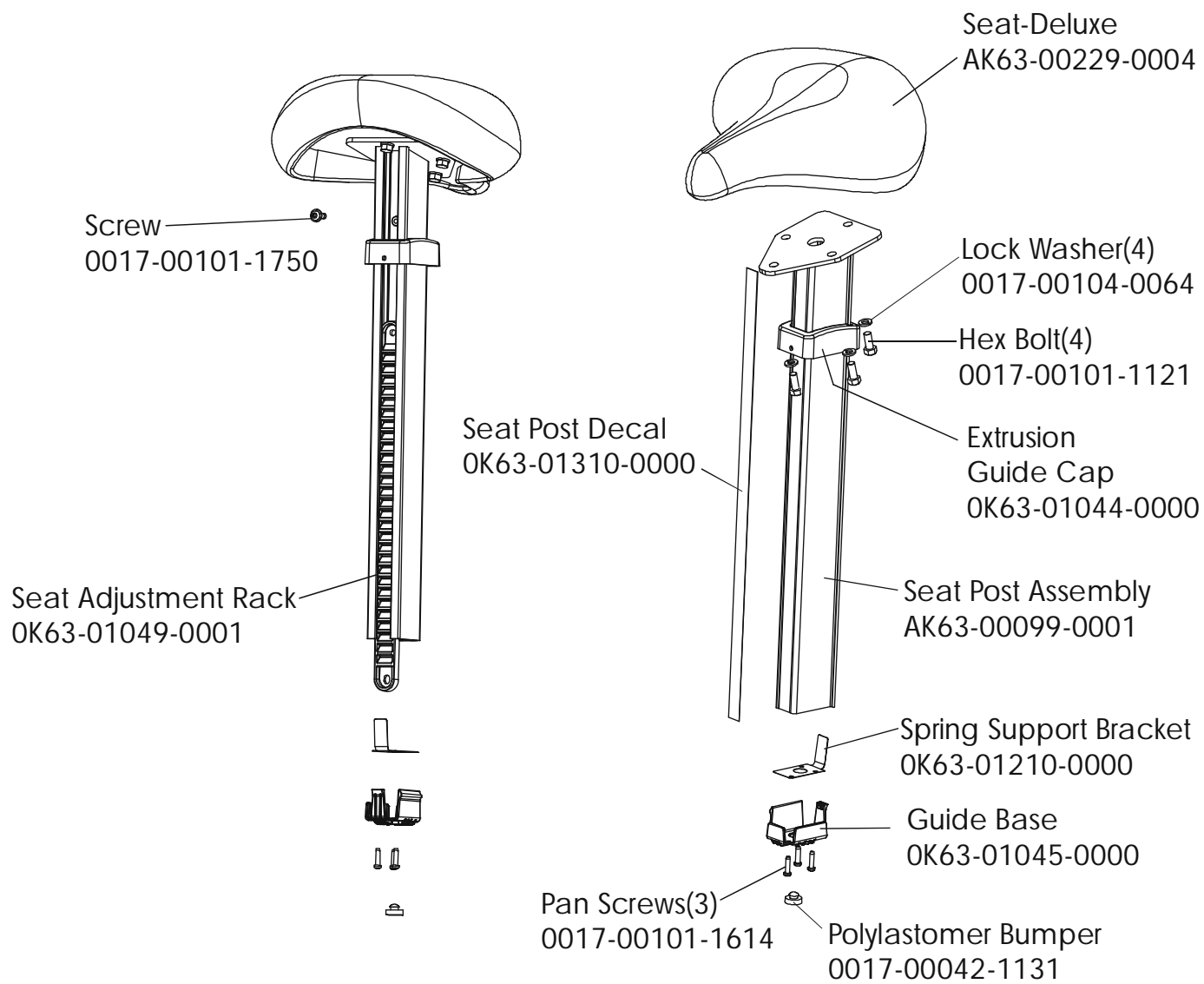


Life Cycle 90C
Seat Latch Assembly

90C-0XXX-01
S/N LCA100001

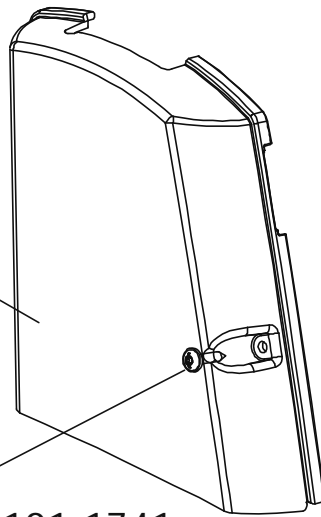
Seat Latch Assembly
AK63-00043-0001



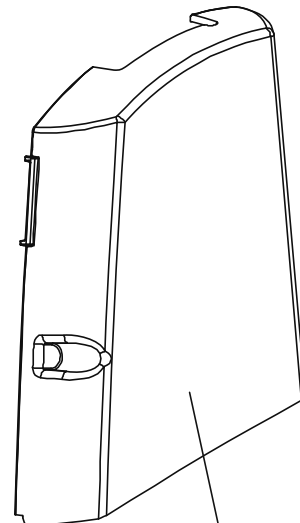


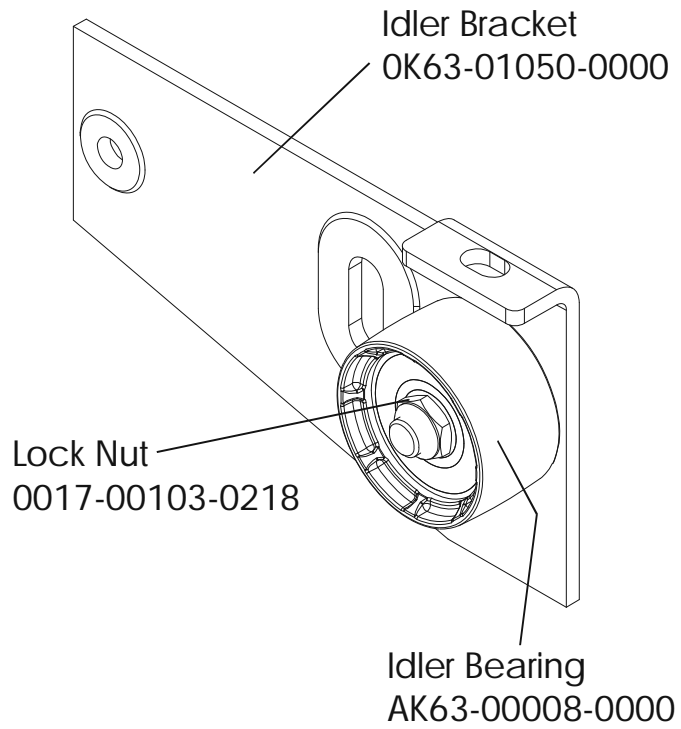
Left Seat Post Shroud
OK63-01092-0010

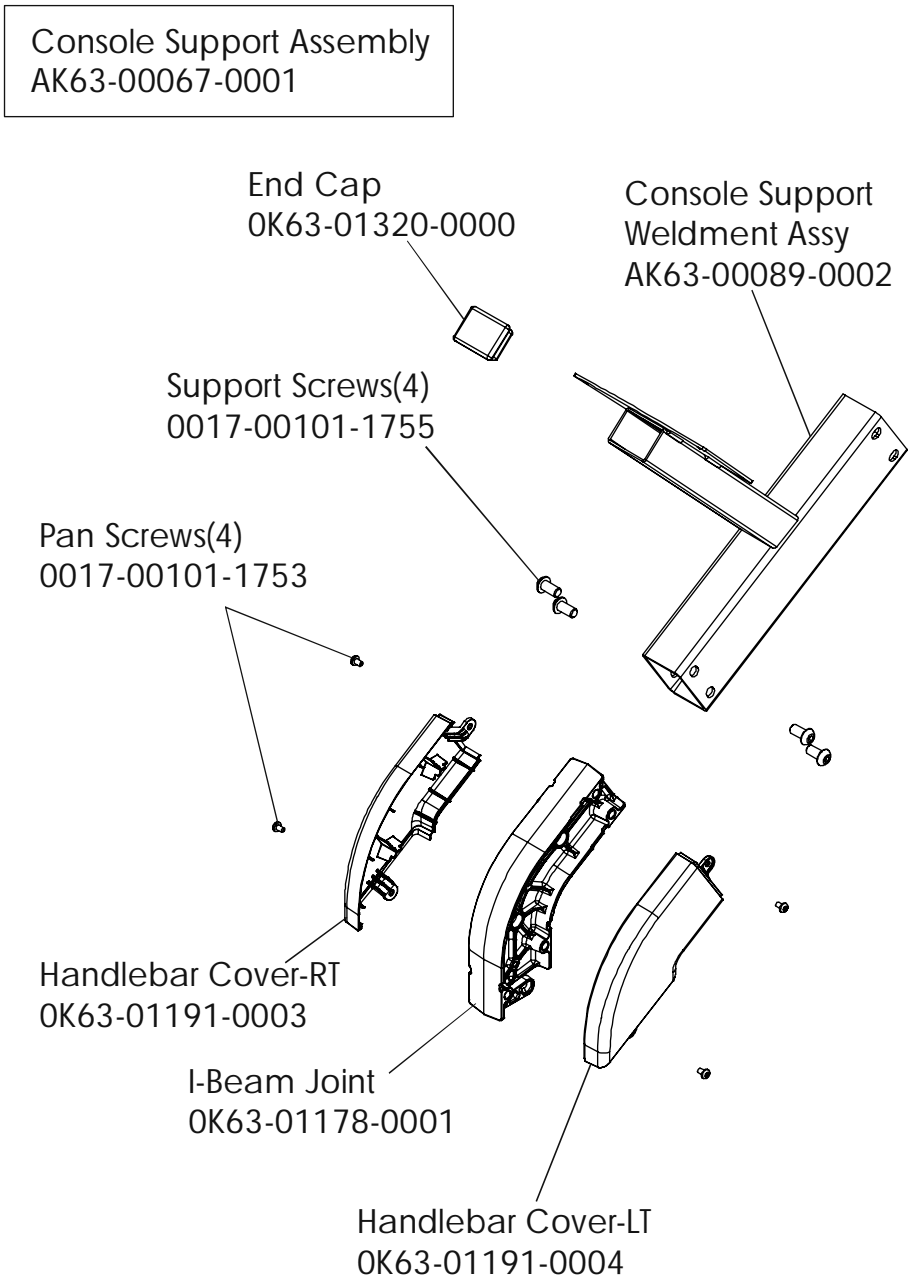
Screw
0017-00101-1741

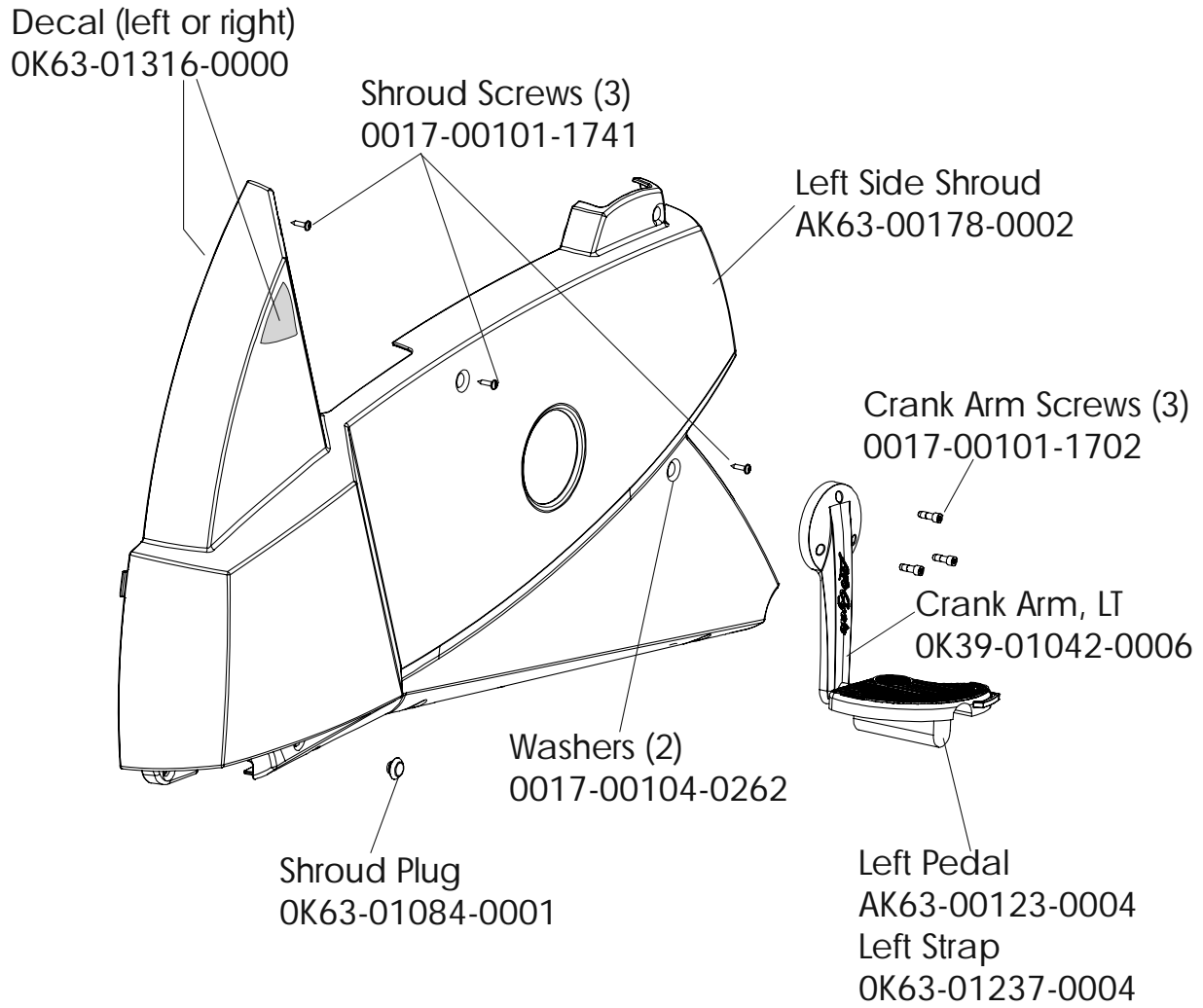


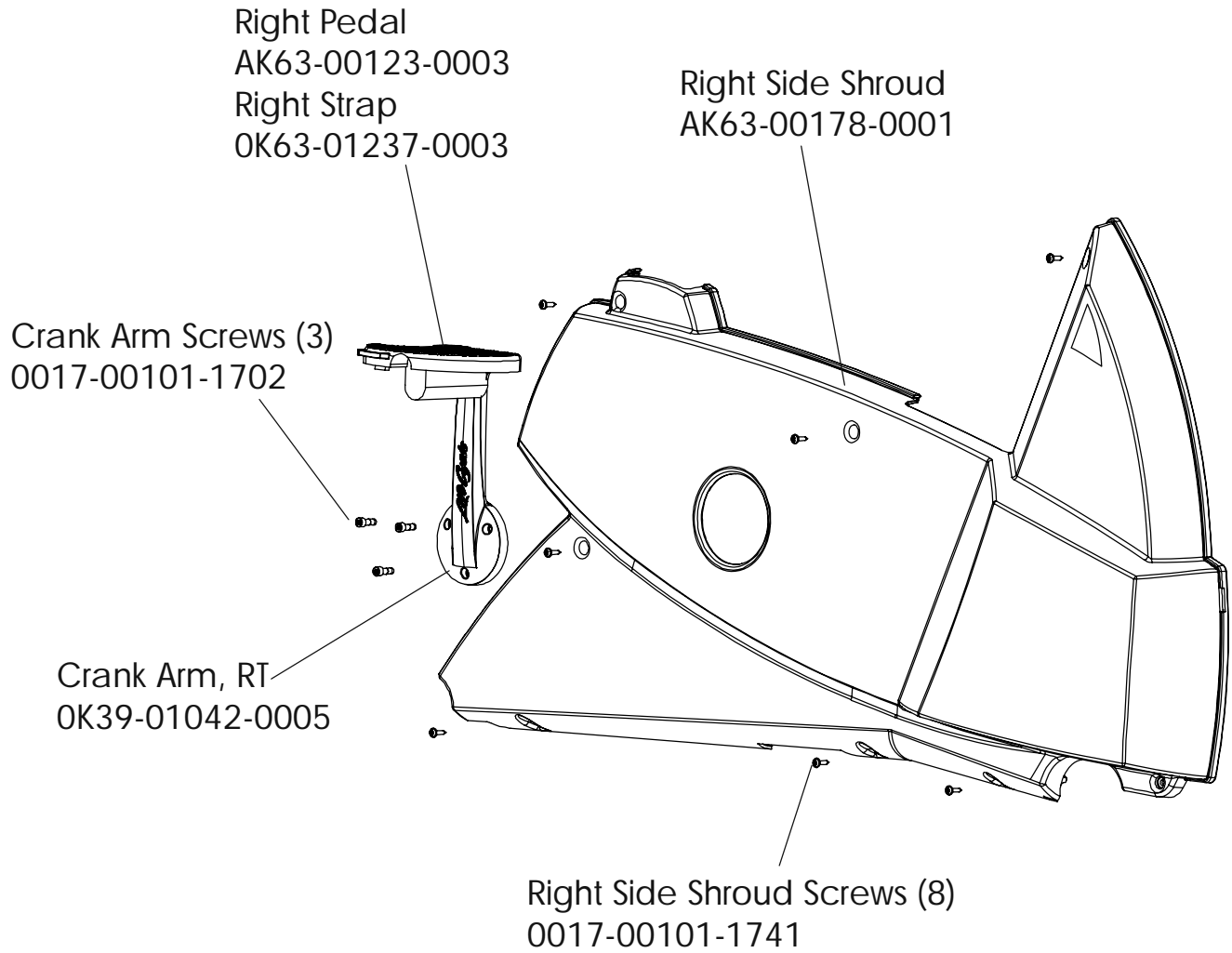
Right Seat Post Shroud
OK63-01092-0009

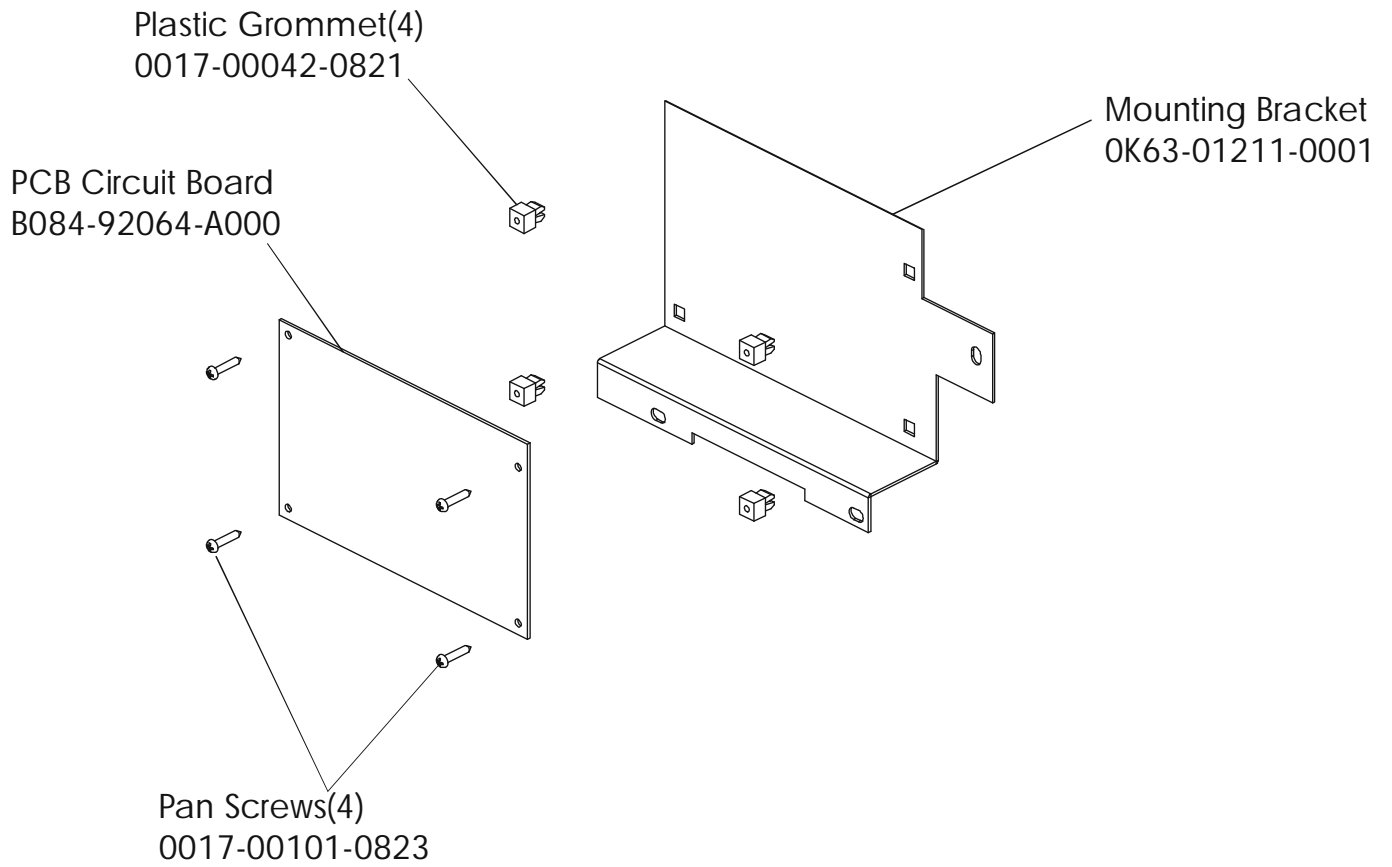




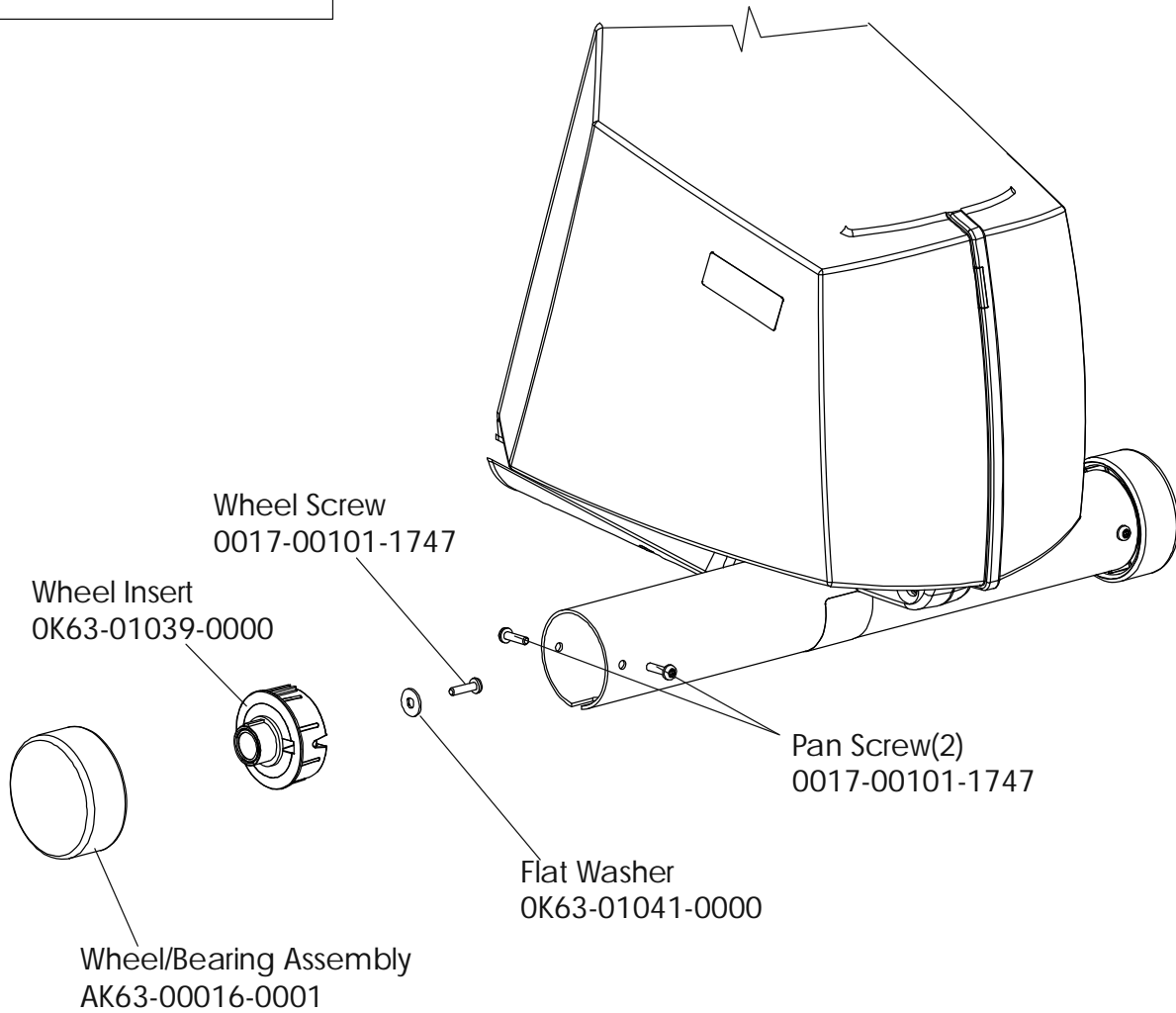




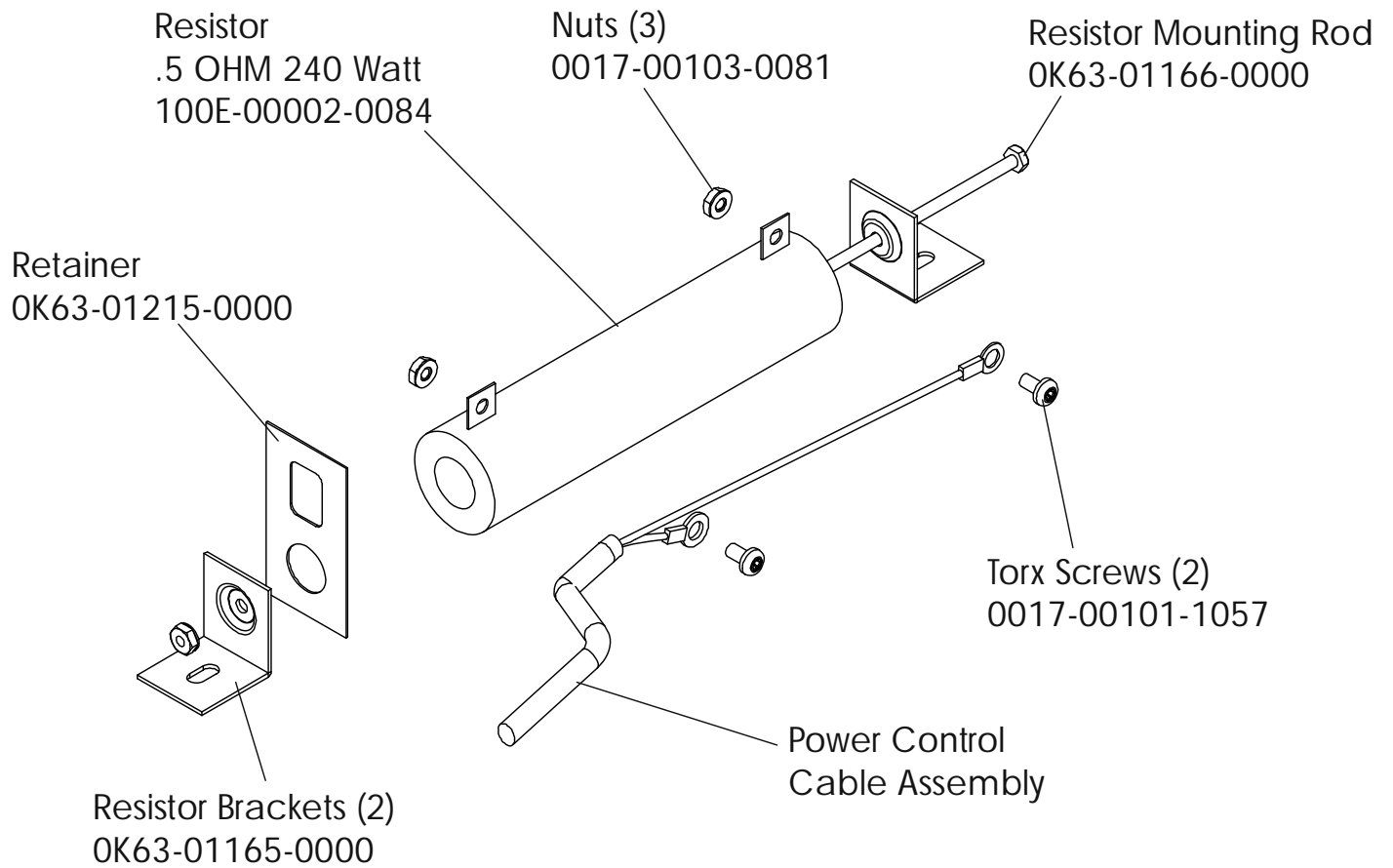




Front Wheel Assembly
AK63-00017-0001



Resistor Assembly
AK63-00114-0000



Handlebar Assembly
AK63-00101-0001

